

# MKCR 900 - 2300

CREE LED

MANUFACTURED IN THE UNITED STATES - IBEW



PRODUCT LISTED BY A NATIONALLY RECOGNIZED TESTING LABORATORY



The MKCR Series emphasizes efficiency and economy and boasts the highest lumens per watt rating of any Times Square Lighting fixture to date. It is designed for a short to medium throw applications. The MKCR Series can be fitted with up to three accessories, including barn doors, louvers and lenses. This versatile fixture is available with a wide variety of mounting and dimming options, allowing for a huge range of customization possibilities.

The MKCR Series is available in standard black, white, or silver finishes. Custom colors are available upon request.

## FEATURES

- Internal self-locking yoke
- Internal accessory holder
- Vented rear spinning
- Numerous mounting options
- Industry leading lumen maintenance and color point stability

## LED SPECIFICATIONS

- Cree XLamp LED array
- **Color Temperature Options:** 2700K, 3000K, 3500K, 4000K, 5000K, 5700K, 6500K
- **CRI:** 80 standard or 92 optional
- **Lumen Maintenance:** 90% of initial lumen output at 33,000 hours on LM-80 testing
- No UV or IR

## ELECTRICAL

- Integral electronic driver
- 100-277V, 50/60Hz
- Meets FCC 47 CFR Part 15/18 Requirements

MODEL	CRI	TOTAL WATTAGE*	LUMENS	EFFICACY (LM/W)
MKCR9	80 / 92	6.37 / 6.4	900 / 900	143 / 141
MKCR11	80 / 92	7.7 / 8.4	1100 / 1100	143 / 131
MKCR13	80 / 92	8.4 / 9.5	1300 / 1300	155 / 137
MKCR15	80 / 92	9.7 / 11.4	1500 / 1500	155 / 132
MKCR18	80 / 92	11.4 / 14	1800 / 1800	158 / 128
MKCR20	80 / 92	13.2 / 15.8	2000 / 2000	152 / 127
MKCR23	80	17.4	2300	132

\* Total wattage equals LED plus driver. Delivered lumen may vary depending on LED module, color temperature, optics, and accessories. Testing done with 3000K LED array.

## OPTICS | 20°, 40°, and 60° Field-Changeable Reflectors

CBCP:	MKCR9	MKCR11	MKCR13	MKCR15	MKCR18	MKCR20	MKCR23
20°	3100	3875	4780	5500	6030	6700	7900
40°	1850	2275	2825	3250	3600	4000	4700
60°	980	1230	1525	1750	2100	2425	3000

Testing done at 3000K, 80 CRI.

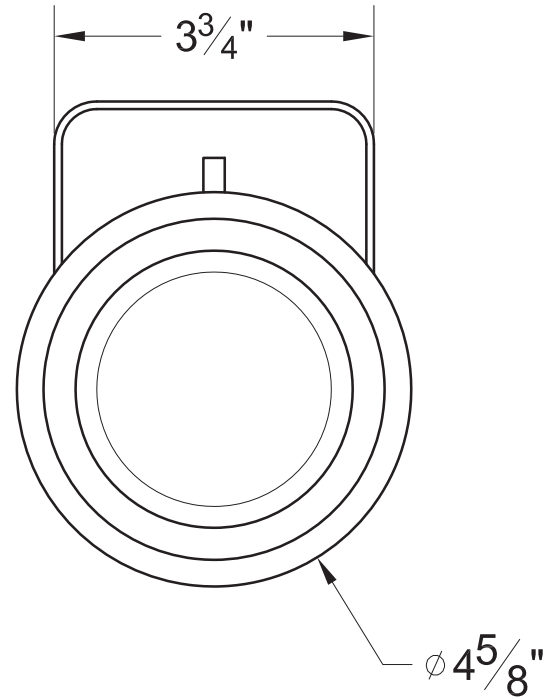
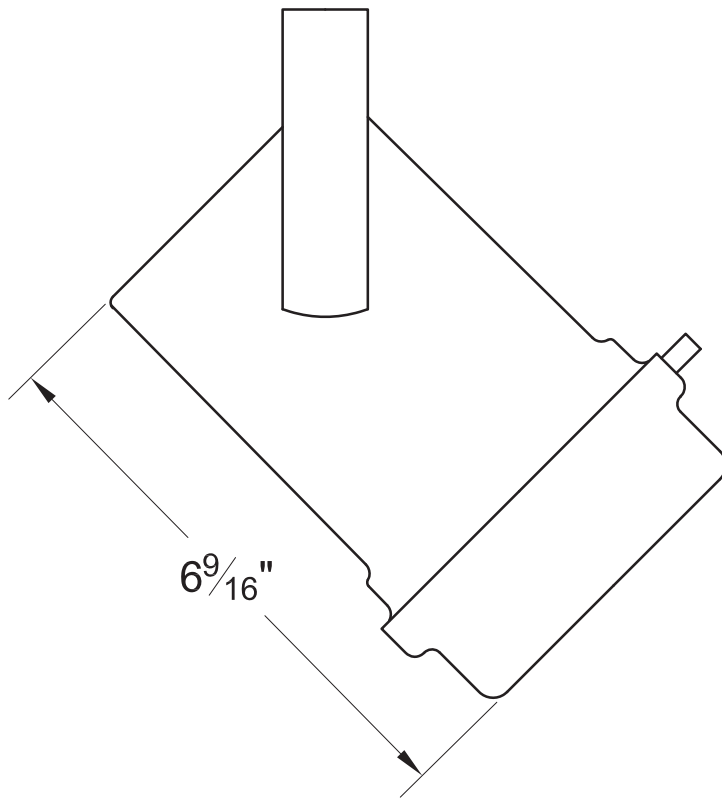
# MKCR 900 - 2300

CREE LED

MANUFACTURED IN THE UNITED STATES - IBEW

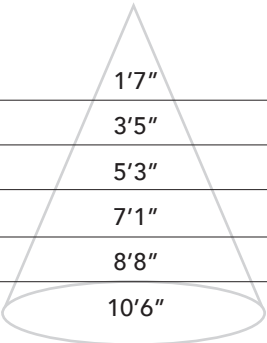


PRODUCT LISTED  
BY A NATIONALLY  
RECOGNIZED  
TESTING  
LABORATORY



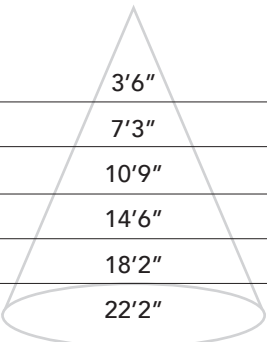
**PHOTOMETRIC DATA**

Distance      **20° Spot Reflector**      Footcandles  
                         Beam Spread



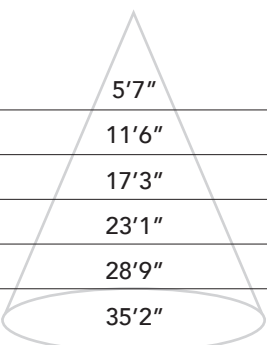
		MKCR9	MKCR11	MKCR13	MKCR15	MKCR18	MKCR20	MKCR23
5'	1'7"	126	155	191	220	241	268	315
10'	3'5"	31	39	48	55	60	67	79
15'	5'3"	14	17	21	24	27	30	35
20'	7'1"	8	10	12	14	15	17	20
25'	8'8"	5	6	8	9	10	11	13
30'	10'6"	-	5	5	6	7	7	9

Distance      **40° Medium Reflector**      Footcandles  
                         Beam Spread



		MKCR9	MKCR11	MKCR13	MKCR15	MKCR18	MKCR20	MKCR23
5'	3'6"	74	91	113	130	144	160	188
10'	7'3"	19	23	28	33	36	40	47
15'	10'9"	8	10	13	15	15	18	21
20'	14'6"	5	5	7	8	9	10	12
25'	18'2"	-	-	-	5	6	6	8
30'	22'2"	-	-	-	-	-	-	5

Distance      **60° Flood Reflector**      Footcandles  
                         Beam Spread



		MKCR9	MKCR11	MKCR13	MKCR15	MKCR18	MKCR20	MKCR23
5'	5'7"	39	49	61	70	85	97	118
10'	11'6"	10	12	15	18	21	24	30
15'	17'3"	5	5	7	8	9	11	13
20'	23'1"	-	-	-	5	5	6	7
25'	28'9"	-	-	-	-	-	5	6
30'	35'2"	-	-	-	-	-	-	5

# MKCR 900 - 2300

CREE LED

MANUFACTURED IN THE UNITED STATES - IBEW



PRODUCT LISTED  
BY A NATIONALLY  
RECOGNIZED  
TESTING  
LABORATORY

## MOUNTING OPTIONS

DT2 2-circuit track adapter for SpecTrack databus. 120V.

HDT2 2-circuit track adapter for SpecTrack databus. 277V.

AD1 Track adapter for single track. Good for use with small, lightweight fixtures.

TA2 Track adapter for G-Series specification grade 2-circuit track. 120V.

HTA2 Track adapter for G-Series specification grade 2-circuit track. 277V.

TA3 Track adapter for G-Series specification grade 3-circuit track. 120V.

CM4 Canopy Mount

US1 6-5/8" x 1-1/2" Unistrut Adapter

TB8 8" x 8" Portable table base for floor and table use

MC Light duty pipe clamp for small fixtures. For pipes up to 1 5/16" O.D.

MN Medium duty pipe clamp for small to large fixtures. For pipes up to 2" O.D.

PC9M Heavy duty pipe clamp for large, heavy fixtures. For pipes up to 2" O.D.

## EXTENSION WANDS

SP 12	12" Stem
SP 18	18" Stem
SP 24	24" Stem
SP X	Custom Length

## ACCESSORIES

LV6	Louwer
XL6	Cross Baffle Louwer
BD10	Barndoor
HD6	Hood
XH6	Cross Baffle Hood
SH6	Sparkle Hood
CF10	Color Frame
GF22-600*	5° x 50° Linear Lens
GF22-601*	Beam Softener
GF22-673*	50° x 50° Spread Lens
X00517	Accessory Holder
LV18*	Honeycomb Louwer
FX22-26*	Red Filter
FX22-80*	Blue Filter
FX22-64*	Light Blue Filter
FX22-90*	Green Filter
FX22-21*	Amber Filter
FX22-10*	Yellow Filter
FX22-33*	Pink Filter
OF22-9101*	Smoothing Frost Filter
OF22-0S20*	20° Beam Softener
OF22-1060*	Linear Spread 10 x 60 Degree
OF22-0S30*	Beam Soft Filter
OF22-0S40*	40 / 60 Degree Diffusion
CC18	Coiled Cord
SC-24	Safety Cable
IP	Integral Dimmer
WL	Wrench Locking

\* X00517 Required. Wide range of colors available.

## NOTES ON DIMMING

Visit [tslight.com/resources](http://tslight.com/resources) or scan the QR Code.



**SPECIFY:**

MODEL	LUMENS	CRI	
MKCR	9 = 900 / 900 11 = 1100 / 1100 13 = 1300 / 1300 15 = 1500 / 1500 18 = 1800 / 1800 20 = 2000 / 2000 23 = 2300 / 2300	80 92	
COLOR TEMPERATURE	FINISH	VOLTAGE	
27 = 2700K 30 = 3000K 35 = 3500K 40 = 4000K 50 = 5000K 57 = 5700K*** 65 = 6500K***	B = Black W = White S = Silver CC = Custom Color	100 †† 120 240 277	
OPTICS	MOUNTING	DIMMING †	ACCESSORIES
12 = 12° Degree 25 = 25° Degree 40 = 40° Degree 60 = 60° Degree ZO = Zoom Optic	See Mounting Options for Ordering Codes.	TE = Trailing Edge * LE = Leading Edge ** 010 = 0-10V ND = Non-Dimming IP = Integral Pot †	See Accessory Options for Ordering Codes.

Maximum Ambient Temperature: 35°C  
Maximum Operating Angle: 45° from vertical

\* 277V TE Dimming Available on 1800 Lumen, 80 CRI and 1500 Lumen, 92 CRI only.  
\*\* 120V Only \*\*\* 80 CRI ONLY

† See "Notes on Dimming"  
†† Non-Dim or 0-10V Dimming Only

**ORDERING INFORMATION**

PROJECT:	
LOCATION:	
QUANTITY:	
CONTACT:	
PHONE:	
EMAIL:	

**EXAMPLE:** MKCR-80-27-B-120-20-T1-TE-BD20

MODEL	LUMENS	CRI	COLOR TEMPERATURE	FINISH	VOLTAGE	OPTICS	MOUNTING	DIMMING	ACCESSORIES
MKCR									