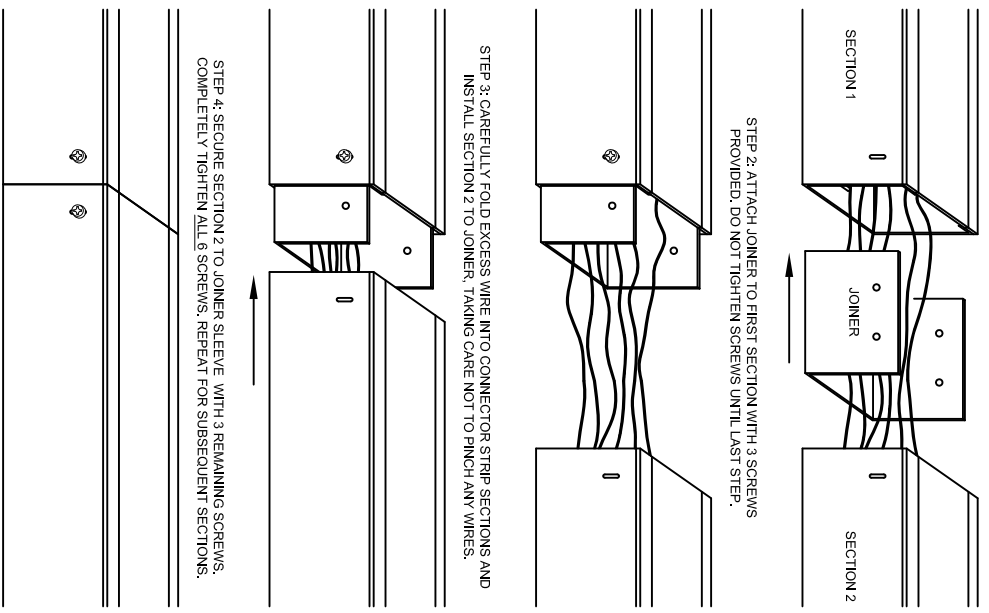


CONNECTOR STRIP INSTALLATION INSTRUCTIONS - SAVE THESE INSTRUCTIONS

JOINING CONNECTOR STRIP SECTIONS



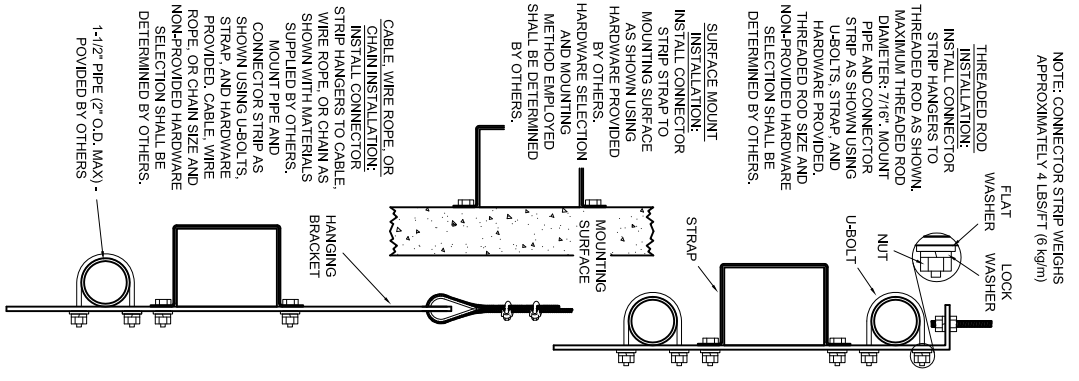
STEP 1: INSTALL JOINER TO SECTION 1 SUCH THAT JOINER SLEEVE NUTS LINE UP WITH SECTION 1 SLOTS.

STEP 2: ATTACH JOINER TO FIRST SECTION WITH 3 SCREWS PROVIDED. DO NOT TIGHTEN SCREWS UNTIL LAST STEP.

STEP 3: CAREFULLY FOLD EXCESS WIRE INTO CONNECTOR STRIP SECTIONS AND INSTALL SECTION 2 TO JOINER, TAKING CARE NOT TO PINCH ANY WIRES.

STEP 4: SECURE SECTION 2 TO JOINER SLEEVE WITH 3 REMAINING SCREWS. COMPLETELY TIGHTEN ALL 6 SCREWS. REPEAT FOR SUBSEQUENT SECTIONS.

HANGING/MOUNTING CONNECTOR STRIP



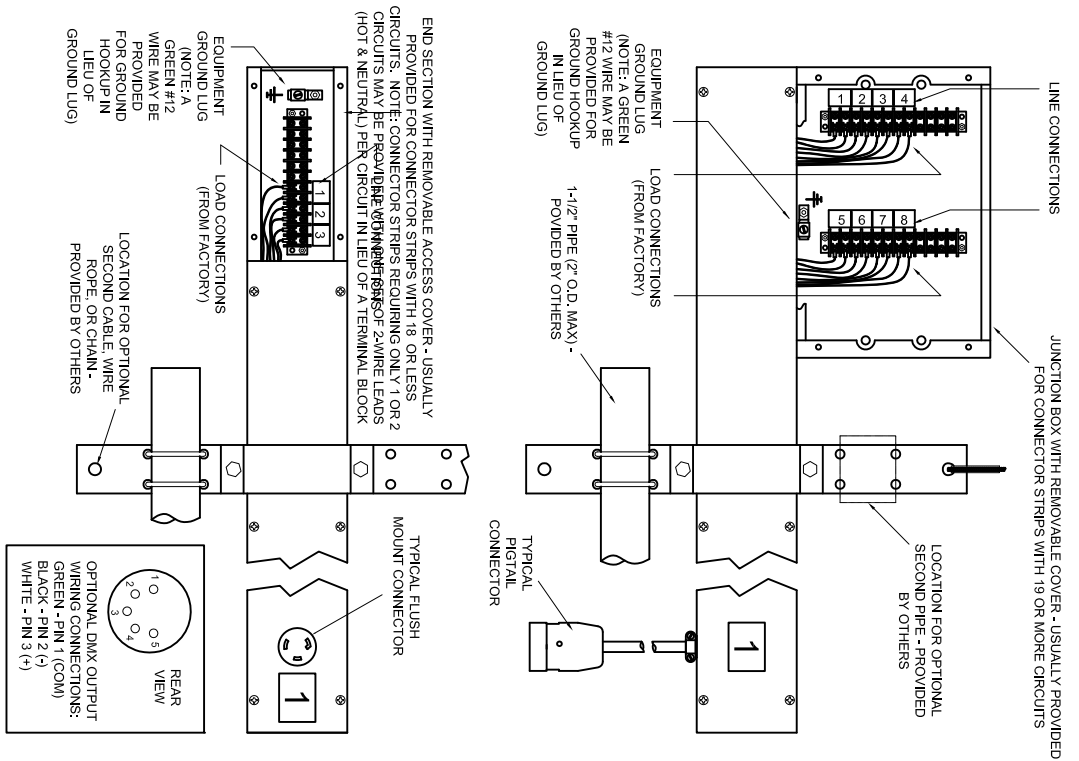
NOTE: CONNECTOR STRIP WEIGHS APPROXIMATELY 4 LBS/FT (6 kg/m)

INSTALLATION: STRIP HANGERS TO THREADED ROD AS SHOWN. MAXIMUM THREADED ROD DIAMETER: 7/16\"

SURFACE MOUNT INSTALLATION: INSTALL CONNECTOR STRIP STRAP TO MOUNTING SURFACE AS SHOWN USING HARDWARE PROVIDED BY OTHERS. HARDWARE SELECTION AND MOUNTING METHOD EMPLOYED SHALL BE DETERMINED BY OTHERS.

CABLE WIRE ROPE OR CHAIN INSTALLATION: STRIP HANGERS TO CABLE WIRE ROPE OR CHAIN AS SHOWN WITH MATERIALS SUPPLIED BY OTHERS. MOUNT PIPE AND CONNECTOR STRIP AS SHOWN USING U-BOLTS, STRAP AND HARDWARE PROVIDED. CABLE WIRE ROPE OR CHAIN SIZE AND NON-PROVIDED HARDWARE SELECTION SHALL BE DETERMINED BY OTHERS.

MAKING ELECTRICAL CONNECTIONS



LINE CONNECTIONS

JUNCTION BOX WITH REMOVABLE COVER - USUALLY PROVIDED FOR CONNECTOR STRIPS WITH 19 OR MORE CIRCUITS

EQUIPMENT GROUND LUG (NOTE: A GREEN #12 WIRE MAY BE PROVIDED FOR GROUND IN LIEU OF GROUND LUG)

LOAD CONNECTIONS (FROM FACTORY)

1-1/2" PIPE (2" O.D. MAX.) PROVIDED BY OTHERS

LOCATION FOR OPTIONAL SECOND PIPE - PROVIDED BY OTHERS

TYPICAL PIGTAIL CONNECTOR

TYPICAL FLUSH MOUNT CONNECTOR

END SECTION WITH REMOVABLE ACCESS COVER - USUALLY PROVIDED FOR CONNECTOR STRIPS WITH 18 OR LESS CIRCUITS. NOTE: CONNECTOR STRIPS REQUIRING ONLY 1 OR 2 CIRCUITS MAY BE PROVIDED WITH A 2-WIRE LEADS (HOT & NEUTRAL) PER CIRCUIT IN LIEU OF A TERMINAL BLOCK.

LOCATION FOR OPTIONAL SECOND CABLE WIRE ROPE OR CHAIN - PROVIDED BY OTHERS

REAR VIEW
 1 2 3 4 5 6 7 8 9 10 11 12 13 14 15 16 17 18 19
 OPTIONAL DMX OUTPUT WIRING CONNECTIONS:
 BLACK - PIN 2 (-)
 GREEN - PIN 1 (COM)
 WHITE - PIN 3 (+)