

TIMES SQUARE LIGHTING INC.

LITE TRUSS, LITE LADDER & MONOTUBE SUPPORT INSTRUCTIONS - SAVE THESE INSTRUCTIONS

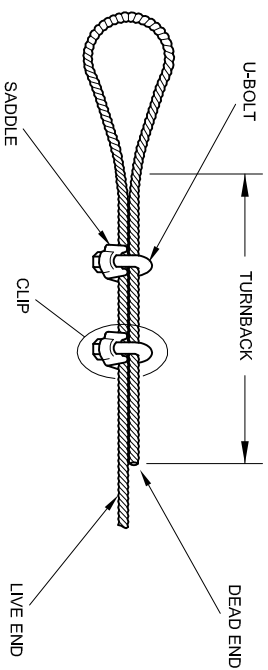
Times Square Lighting, Inc. 5 Holt Drive, Stony Point, NY 10980
 845-947-3034 FAX: 845-947-3047 www.tslight.com

WARNING! When supporting truss structures with wire rope, it is important to follow ALL instructions below:

The size of the wire rope retaining clips should match the size (outer diameter) of the wire rope. For wire rope up to and including 7/16" two clips are required per rope. Use the chart below to determine the amount of turnback (see diagram) and torque required to properly tighten the nuts. **NOTE:** Wire rope clips do NOT determine work loads; the work load is determined by the rope.

WARNING! The size and placement of the wire rope MUST be determined by a Licensed Professional Engineer!
 To install single saddle clips, position the saddle on the long or "live" end of the rope (see diagram), and the U-bolt on the short or "dead" end of the rope. For double saddle clips, simply position a saddle at each end.

ROPE DIA.	TURNBACK	TORQUE, ft.-lbs.
1/8"	3-1/4"	4.5
3/16"	3-3/4"	7.5
1/4"	4-3/4"	15
5/16"	5-1/4"	30
3/8"	6-1/2"	45
7/16"	7"	65



To prevent truss from slipping horizontally through wire rope loops, it may be beneficial to wrap each rope around its respective truss tube at least 1-1/2 turns.

WARNING! When supporting truss structures with threaded rod or eyebolts, it is important to follow ALL instructions below:

WARNING! The size, type and placement of the threaded rod or eyebolts MUST be determined by a Licensed Professional Engineer!

WARNING! When supporting truss with threaded eyebolts, it is important that they be **FORGED** or **WELDED WIRE** eyebolts. To support the truss with threaded rod or eyebolts, it is important to install all hardware as shown in illustration 1 below, and insure that ALL hex nuts are snug as shown in illustration 2. The lock washer should be fully compressed, but care should be taken to make sure that the truss tube is NOT compressed.

ILLUSTRATION 1

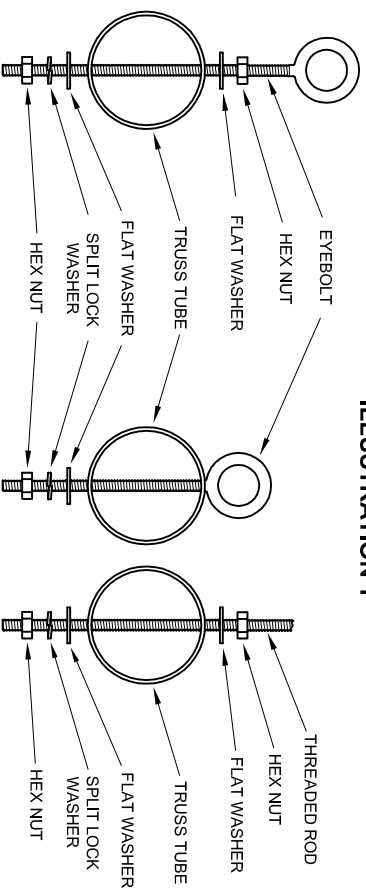
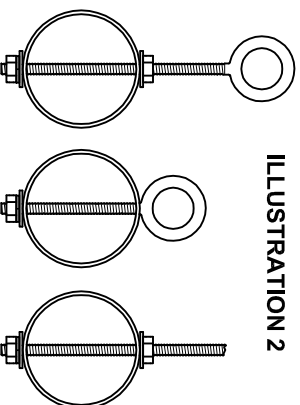
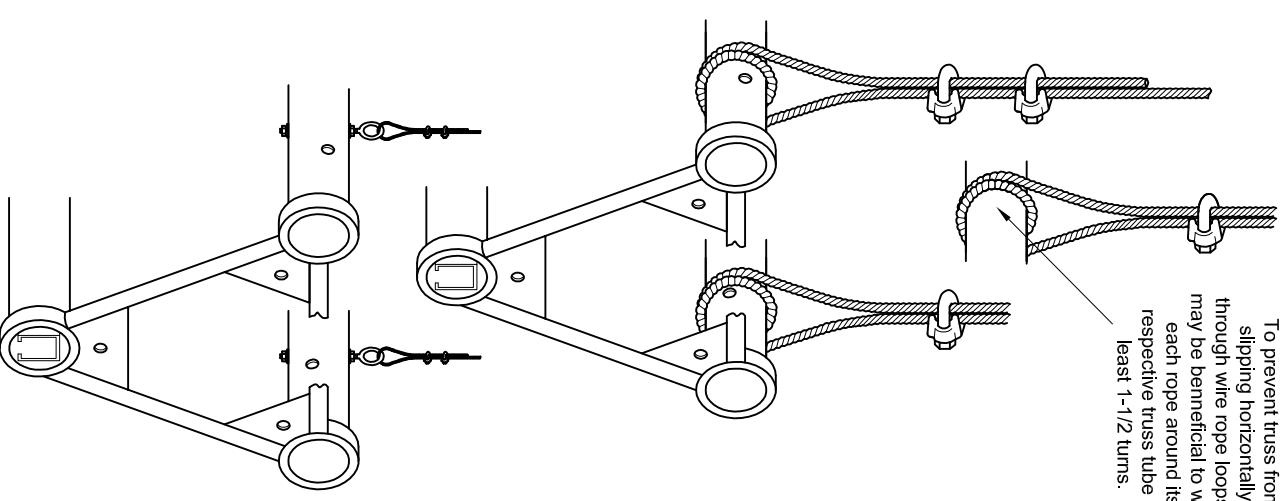
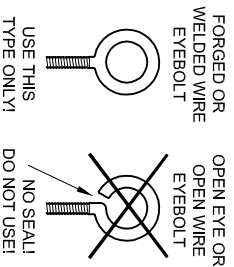


ILLUSTRATION 2



TRUSS LOADING INFORMATION:					
TRUSS LENGTH (approx.)	6.5'	10'	13'	16.5'	
CENTER POINT LOADING	460 lbs.	370 lbs.	315 lbs.	270 lbs.	
DEFLECTION	0.07"	0.14"	0.27"	0.42"	
DISTRIBUTED LOADING	180 lbs./ft.	110 lbs./ft.	75 lbs./ft.	50 lbs./ft.	
DEFLECTION	0.10"	0.18"	0.50"	0.62"	



**INSTRUCTIONS FOR THE ASSEMBLY AND JOINING OF TRUSS / LIGHT LADDER SECTIONS
WITH LIGHT TRACK PRE-INSTALLED.
READ AND UNDERSTAND ALL INSTRUCTIONS BEFORE PROCEEDING! - SAVE THESE INSTRUCTIONS**

Truss and Light Ladders are supplied with one bag of hardware for each point where two sections are joined. **WARNING!** When connecting your truss, make sure you use only the hardware supplied, and in accordance with the instructions below! Each bag of hardware contains the following:

TRUSS

- 2 - SPIGOTS
- 4 - M10-60mm BOLTS (2-1/2" long)
- 3 - M10-35mm BOLTS (1-3/8" long)
- 7 - M10 NUTS

LIGHT LADDERS

- 1 - SPIGOT
- 2 - M10-60mm BOLTS (2-1/2" long)
- 2 - M10-35mm BOLTS (1-3/8" long)
- 4 - M10 NUTS

To connect two sections of TRUSS, follow these steps:

- 1) Lay the first truss section on a firm work surface.
- 2) Insert two spigots into upper truss tubes approximately half way and line up bolt holes in the truss tube with the bolt holes in the spigot.
- 3) Insert the M10-60mm bolts completely through the 2 truss tubes.
- 4) Secure bolts with two of the M10 nuts, and tighten until finger tight only.
- 5) Insert the upper truss tubes of the second truss section completely onto the spigots while making sure that the light track and joiner are properly aligned and mated in the lower truss tubes.
- 6) Use the remaining M10-60mm bolts to secure the second truss section as outlined in step 4.
- 7) Using the three M10-35mm bolts and remaining M-10 nuts, further attach the 2 truss sections together at the end plate holes shown in the diagram below. **WARNING!** Insure that ALL hardware is made tight!
- 8) Make sure that the two set screws for the track light joiners are made tight. They are accessible through the track opening.

To connect 2 sections of LIGHT LADDER, follow the procedure for TRUSS above, eliminating one spigot.

