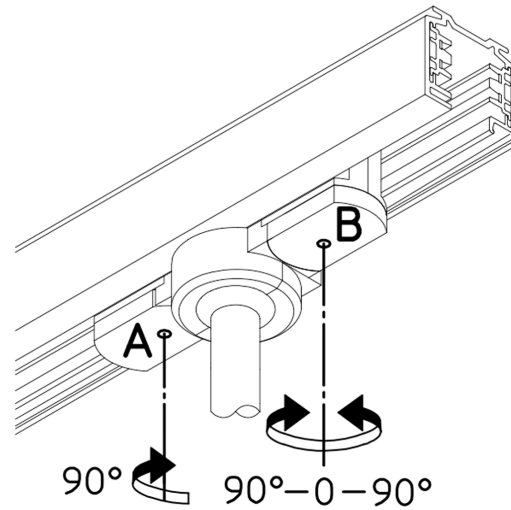
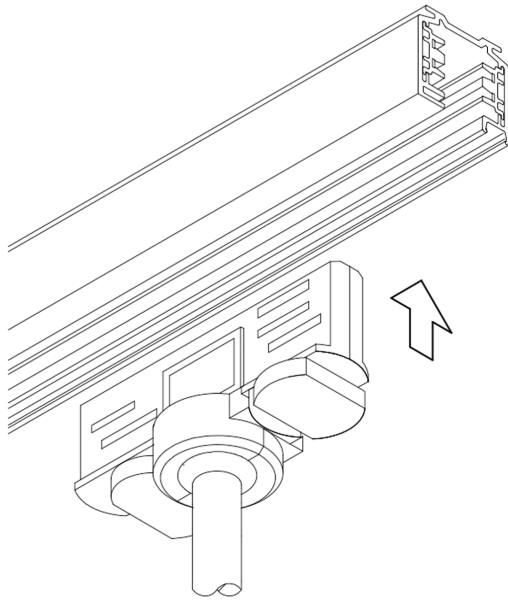


TE2 Installation Instructions

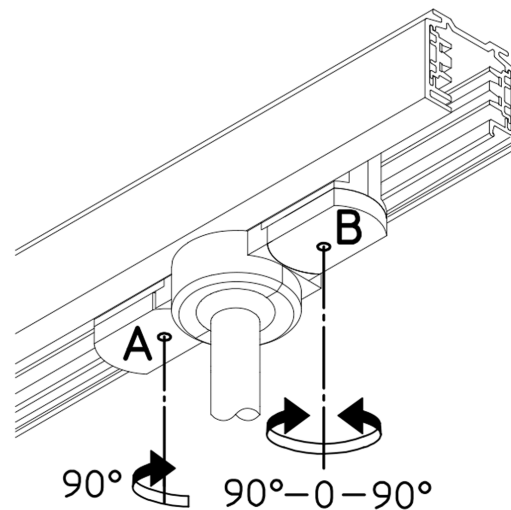
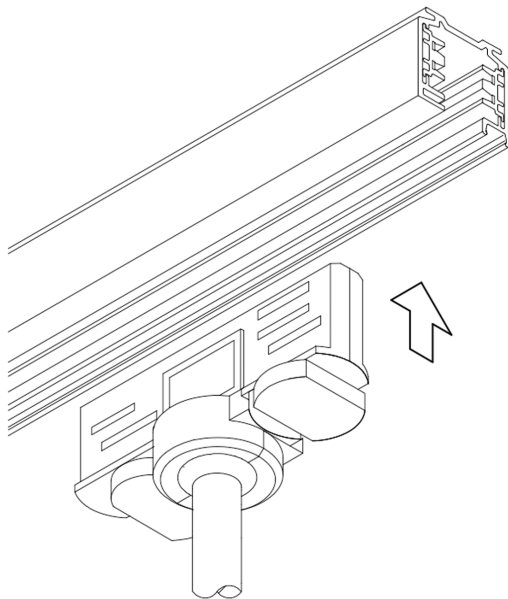


Turn knob **A** clockwise 90° for mechanical fixing.

Turn knob **B** clockwise 90° to connect the adaptor to circuit 1.

Turn knob **B** counterclockwise 90° to connect the adaptor to circuit 2.

TE2 Installation Instructions



Turn knob **A** clockwise 90° for mechanical fixing.

Turn knob **B** clockwise 90° to connect the adaptor to circuit 1.

Turn knob **B** counterclockwise 90° to connect the adaptor to circuit 2.