

# BRIGHTON

## Pattern & Framing Projector



5 Holt Drive  
Stony Point, NY 10980  
845-947-3034  
tslight.com

The Brighton is a sleek and functional LED framing projector ideal for museums, restaurants, retail and hospitality projects. It features a 20° - 30° degree zoomable lens plus a built in iris and gobo slot for pattern projection. Its slim and attractive design ensures it will enhance the aesthetics of any architectural space.

### Construction

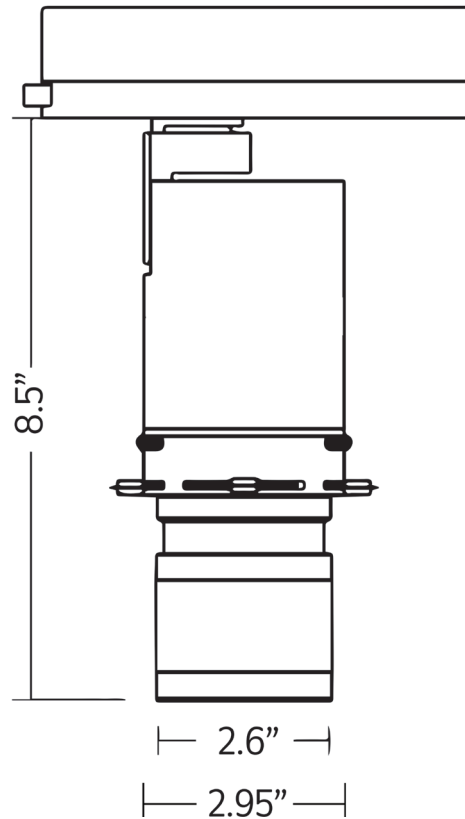
- Aluminum housing with black, or white finish
- Framing shutters
- Built-in Iris
- +45° to - 25° C operating temperature
- 3 lbs.

### Specifications

- 100-120V
- 15W
- 700 Lumen
- 2700K / 3000K / 3500K / 4000K
- 90+ CRI
- Phase dimmable (0-10V coming soon)
- Track or Monopoint Mounting

### Features

- Stylish and compact design with integrated driver
- Designed for sharp or soft focused projection of light
- Four shutter blades for framing light
- Internal gobo slot for projecting customized artwork
- 360+ degree rotation without dead angle and 90 deg. vertical aiming
- 20° - 30° degree zoomable lens tube
- Built-in iris



### Ordering Matrix

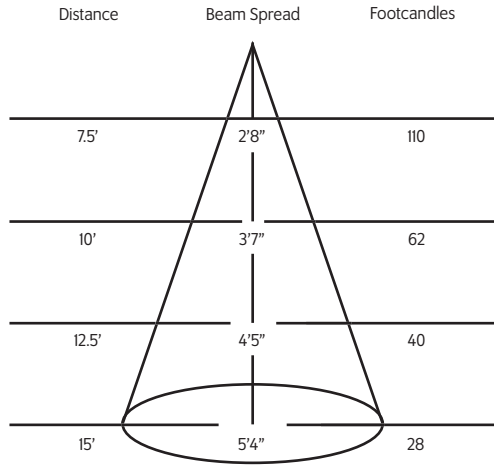
Model	LED Module	Color Temp	Finish	Voltage	Mounting	Dimming
BR20	90	27 = 2700K 30 = 3000K 35 = 3500K 40 = 4000K	B = Black W = White	120	See Mounting Options	TE = Trailing Edge LE = Leading Edge

Example: BR20 - 90 - 27 - W - 120 - TA2

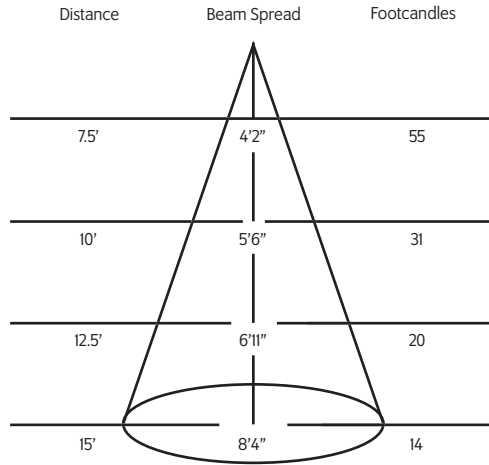
BR20 - \_\_\_\_\_

## Photometrics

### 20° Setting



### 30° Setting



## Mounting Options

**AD1** Track adapter for commercial grade 1-Circuit track. This adapter is "H" and Times Square compatible. 120V.

**AD1-2** Track adapter for commercial grade 1-Circuit track. This adapter is "J" compatible. 120V.

**AD1-4** Track adapter for commercial grade 1-Circuit track. This adapter is "L" compatible. 120V.

**DT2** 2-circuit track adapter for SpecTrack databus. 120V.

**TA2** Track adapter for G-Series specification grade 2-circuit track. 120V.

**L020** Monopoint (for AD1)

**GA70** Monopoint (for TA2)

## Accessories

<b>SPE</b>	Stock Pattern Steel
<b>CPE</b>	Custom Pattern Steel
<b>GPE</b>	Custom Pattern Glass