

# CHELSEA RECESSED

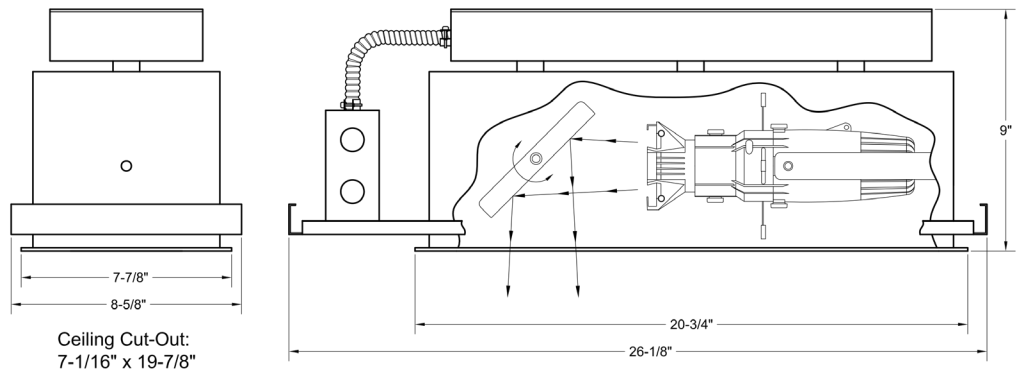
## PATTERN & FRAMING PROJECTOR



5 Holt Drive,  
Stony Point, NY 10980  
845-947-3034  
www.tslight.com

An ideal pattern and framing projector for low ceiling applications, the Chelsea Recessed installs flush with the ceiling line to create a clean look. The removable trim plate allows for effortless pattern installation, aiming and shuttering. Once your desired look is achieved, simply re-install the trim plate. The mirror within the unit is on an X and Y axis and each lens tube has a maximum pan and tilt listed within the specification sheet.

The Chelsea Recessed can project stock or custom patterns in both glass and stainless steel. Four shutters are included with the unit for framing purposes, and a wide range of dimming options is also available.



### LED

- Color Temperature: 3200K
- CRI: 90
- No UV or IR

### Dimming

- Trailing edge (ELV): 120V
- Leading edge (Triac): 120V
- 0-10V: 120-277V

### Trim

- Available as black, white or custom color.

### Ordering Matrix

MODEL	INSIDE FINISH	TRIM FINISH	FIXTURE FINISH	VOLTAGE
LED2IPM	B = Black W = White	B = Black W = White	B = Black W = White	120 277
OPTICS	DIMMING*		ACCESSORIES	
19 = 19° 26 = 26°	TE = Trailing Edge (120V Only) LE = Leading Edge (120V Only) ND = Non-Dimming 010 = 0-10V DMX = DMX Basic		See Accessory Options.	

Maximum ambient temperature: 35°C  
Maximum operating angle: 45° from vertical

**Example:** LED2IPM-B-B-B-120-19-TE-SPI

LED2IPM- \_\_\_\_\_ - \_\_\_\_\_ - \_\_\_\_\_ - \_\_\_\_\_ - \_\_\_\_\_ - \_\_\_\_\_



Manufactured in the USA - IBEW



### Features

- 100-277 Volt available
- 50,000 hour lamp life
- Framing shutters included
- Stock or custom, steel or glass patterns
- Dimmable (optional)
- Numerous accessories available

### Construction

- Aluminium and steel pattern and framing projector with black finish
- Accessory slot for color glass
- Internal framing shutters
- Accepts Z-size glass or metal gobo
- Accepts up to 2 accessories
- Weight: 16 lbs.

### Optics

- 19° and 26° Lens Tubes available

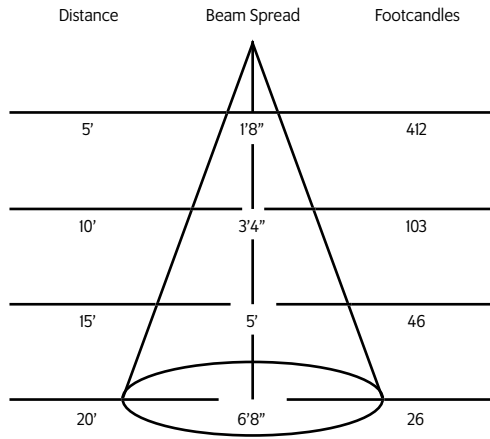
### Electrical

- 21 watt power consumption
- Integral electronic driver
- Meets FCC 47 CFR Part 15/18 Requirements

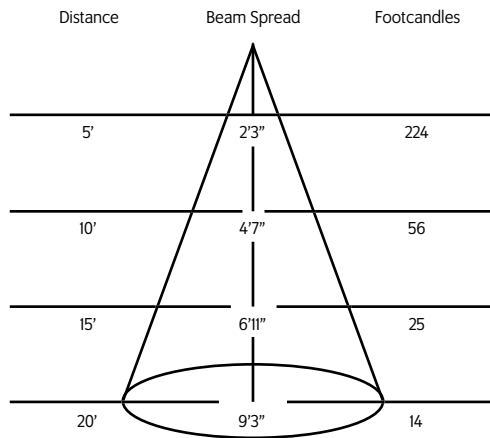
\*Specification sheets are subject to change without notice.

## Photometric Data

### 19° LENS TUBE



### 26° LENS TUBE



## Patterns

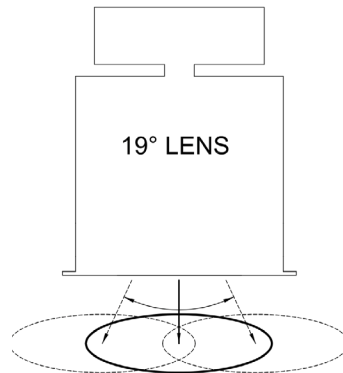
For standard and custom patterns please see the pattern specification sheet.



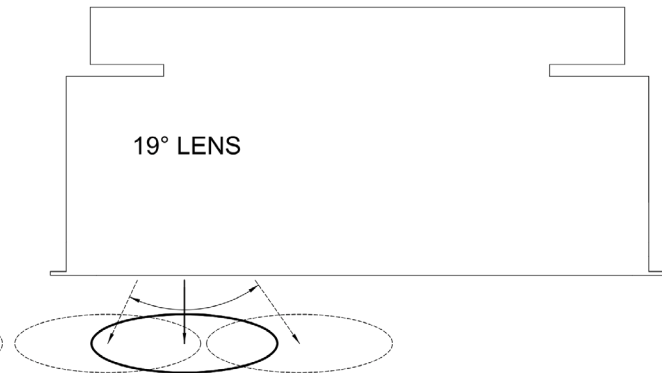
[Click here to download pattern datasheet.](#)

## Accessories

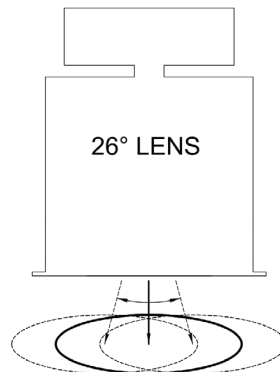
<b>SPI</b>	Stock Pattern Steel
<b>CPI</b>	Custom Steel Pattern
<b>PH2</b>	Pattern Holder
<b>4MCF</b>	Color Frame
<b>4MDN</b>	Donut



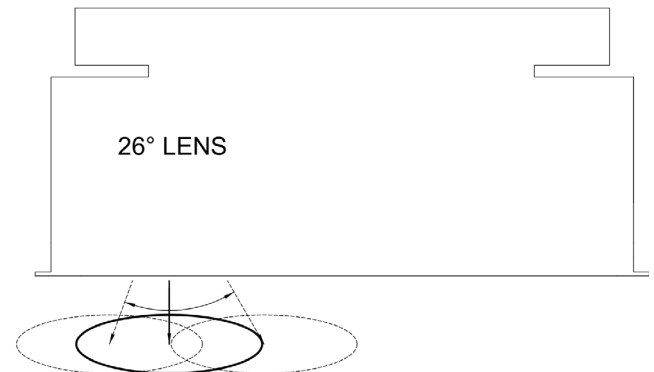
25° x 25° BEAM TILT -  
SIDE-TO-SIDE



25° x 35° BEAM TILT -  
END-TO-END



15° x 15° BEAM TILT -  
SIDE-TO-SIDE



20° x 30° BEAM TILT -  
END-TO-END

\* For notes on dimming, please [click here](#).