



SoHo75

50-75W MR16 Projector



5 Holt Drive,
Stony Point, NY 10980
845-947-3034
www.tslight.com

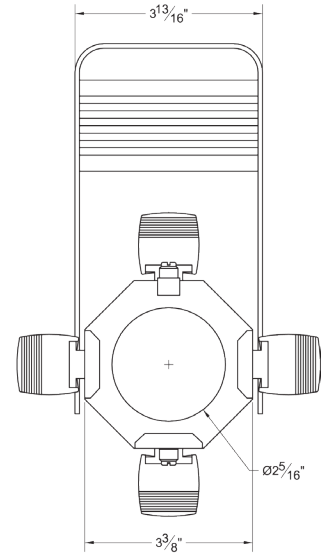
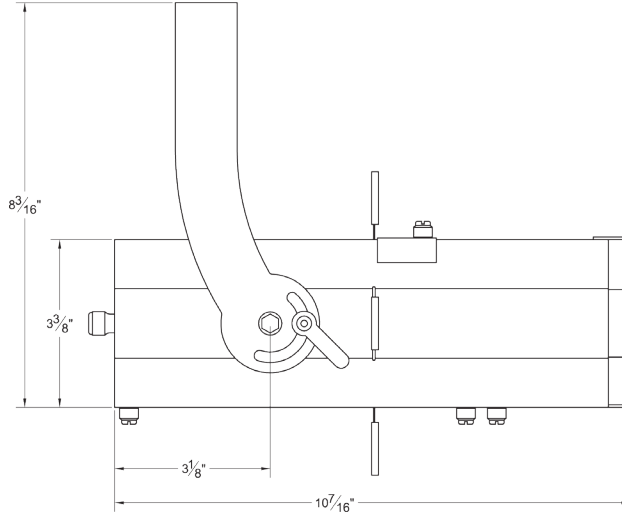
The SoHo75 is a compact pattern projector that produces intense, sharp or soft edged beams of light. Utilizing energy efficient MR16 lamps, the SoHo75 features a unique zoom focusing system that creates various spreads within the same fixture housing. Built-in pattern slots makes this unit capable of projecting stock and custom, steel or glass patterns. Available in black, white and silver finishes. Custom colors available by request and at an additional charge.

Manufactured in the USA - IBEW

PRODUCT LISTED
BY A NATIONALLY
RECOGNIZED
TESTING
LABORATORY

Features

- 120, 220 and 277-volt available
- Accepts 50 to 75-watt MR16 lamps (lamp included)
- 4-way adjustable framing shutters
- Zoom lens system (25°- 45°)
- Built-in pattern slot
- Fully dimmable
- Stock or custom, glass or steel patterns
- Numerous mounting options and accessories
- Weight: 5 lbs



Pattern Rotator

5300 Mini Spin (Variable Speed Pattern Rotator)



Lamp Types

EXZ 50W/12V; EXZ; 6000Hrs; 30° Beam; 2500 CBCP; 3050°K Color Temp
***EYJ** 71W/12V; EYJ; 4000Hrs; 25° Beam; 5500 CBCP; 3050°K Color Temp

**Item included with the purchase of fixture.*

Ordering Matrix

Model	Finish	Mounting	Accessories
SoHo75	B = Black W = White S = Silver CC = Custom Color	See Mounting Options	See Accessory Options

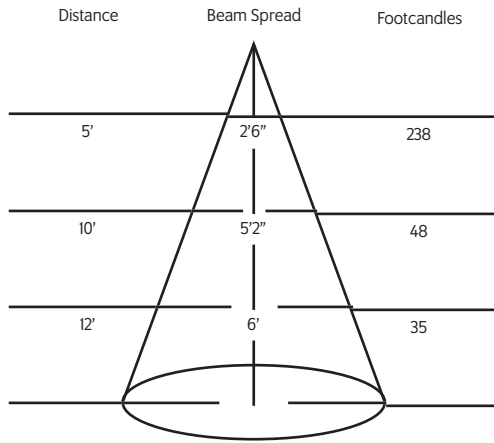
Example: SoHo75-B-TI-CF4

SoHo75 - _____ - _____ - _____

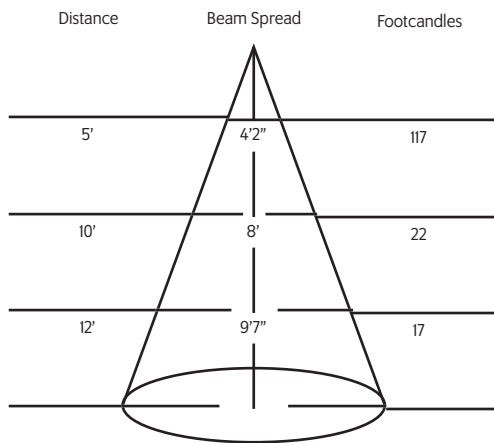
*Specification sheets are subject to change without notice.

Photometric Data

SoHo75: EYJ- 30° Spot Position



SoHo75: EYJ- 45° Flood Position



Mounting Options

ADI

Track Adapter for commercial grade 1 & 2 circuit track. 120V. For use with lightweight fixtures.

TI

Track Adapter for commercial grade 1 & 2 circuit track. 120V. For use with larger, heavier fixtures.

TA1 / TE2 (2 ckt)

Track adapter for E-Series specification grade track. 1 or 2 circuit. 120V.

TA2 / HTA2 (277V)

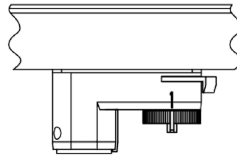
Track adapter for G-Series specification grade 2-circuit track. 120V or 277V.

ST2

2 circuit track adapter for Data Bus. Specification grade track. 120V.

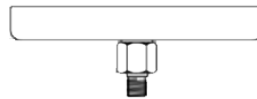
TA3

Track adapter for G-Series specification grade 3-circuit track. 120V.



CM4

Canopy Mount



US1 6 7/8" x 1 1/2"

Unitrut Adapter



TB4 6 1/4"

Portable wall mount/table base for floor, wall, and table use

TB8 8" x 8"

Portable table base for floor and table use



MC

Light duty pipe clamp for small fixtures. For pipes up to 15/16" O.D.

MN

Medium duty pipe clamp for small to large fixtures. For pipes up to 2" O.D.

PC9M

Heavy duty pipe clamp for large, heavy fixtures. For pipes up to 2" O.D.

Accessories

CF6

Color Frame

SN6

SNOOT/HOOD

PH6

Pattern Holder

PD6

Pattern Donut

SPE

Stock Pattern Steel

CPE

Custom Pattern Steel

GPE

Custom Pattern Glass

GF6

Glass Color Filter

DF6

Dichroic Color Filter

GF6-702

UV Blocking Filter

CC18

Coiled Cord

6I

Iris

IP

Integrated Dimmer

Extension Wands

SP 12 12" Stem

SP 18 18" Stem

SP 24 24" Stem

SP X Custom Length

Finish

B Black

W White

S Silver

CC Custom Color

Patterns

For standard and custom patterns please see the pattern specification sheet. For a complete list, please contact a Times Square Lighting representative.

View Patterns: <http://tsq.li/2bMBz3l>

