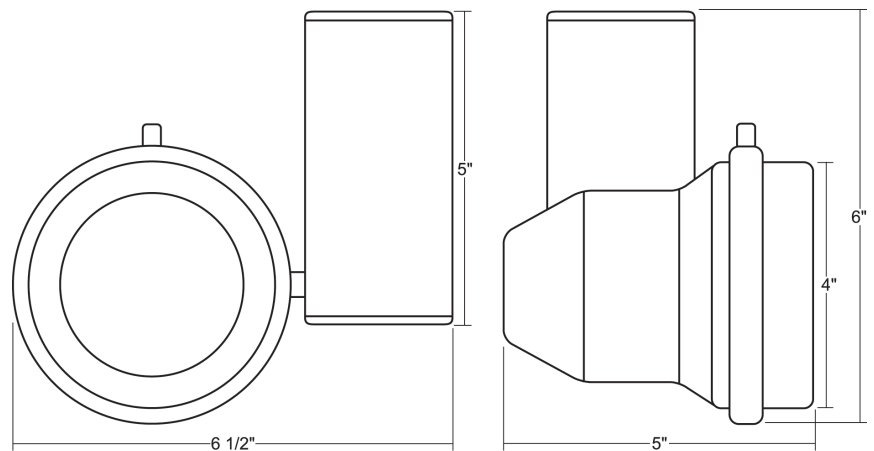




The 36C features an adjustable self-locking head and electronic transformer. Its hinged front is easily opened for re-lamping. Accepts louvers, barndoors, hoods and a variety of filters. Comes in standard black, white and silver finishes. Custom colors are available by request and at an additional charge.

## FEATURES

- 120, 220 and 277-volt available
- Use with electronic low voltage (ELV) Dimmer only (AKA Trailing Edge and Reverse Phase)
- Integral 12-volt dimmable transformer
- Accepts AR111 lamps and LED's
- Numerous mounting options and accessories
- Weight: 1.6 lbs



MODEL NUMBER	FINISH	MOUNTING	ACCESSORIES
36C	B Black W White S Silver CC Custom Color	AD1 Track Adapter. 1 Circuit track. 120V. TA1 Track Adapter. E-Series. 1 Circuit. 120V. TA2 Track Adapter. G-Series. 2 Circuit. 120V. TA3 Track Adapter. G-Series. 3 Circuit. 120V.  CM4 Canopy Mount.  US1 6 5/8" x 1 1/2" Unistrut Adapter.  TB4 6 1/4" Portable Wall Mount/Table Base Floor.  MC Light Duty Pipe Clamp. For pipes up to 15/16" O.D. MN Medium Duty Pipe Clamp. For pipes up to 2" O.D.	LV6 Louver XL6 Cross Baffle Louver BD10 Barndoor HD6 Hood XH6 Cross Baffle Hood GF10-Clear AR111 Glass Shield CF10 Color Frame GF10 Glass Color Filter DF10 Dichroic Color Filter GF10-600 5°x50° Linear Lens GF10-601 Beam Softener GF10-673 50°x50° Spread Lens GF10-702 UV Blocking Filter CC18 Coiled Cord SC-24 Safety Cable IP Integral Dimmer

**EXAMPLE:** 36C - B - TA2 -LV6

MODEL NUMBER	FINISH	MOUNTING	ACCESSORIES
36C			