



Manufactured in the USA - IBEW

PRODUCT LISTED
BY A NATIONALLY
RECOGNIZED
TESTING
LABORATORY



XICATO

Voltage

120 120 Volt

Reflector

20 20° Reflector
40 40° Reflector
60 60° Reflector

Accessories

LV6 Louver
XL6 Cross Baffle Louver
BD10 Barndoor
HD6 Hood
XH6 Cross Baffle Hood
X00517 * Glass/Dichroic Holder
GF22 Glass Color Filter
DF22 Dichroic Color Filter
GF22-600 5°x50° Linear Lens
GF22-601 Beam Softener
GF22-673 50°x50° Spread Lens

* Required accessory when using glass or dichroic filters

IXT30

32W 3000 Lumen DMX LED



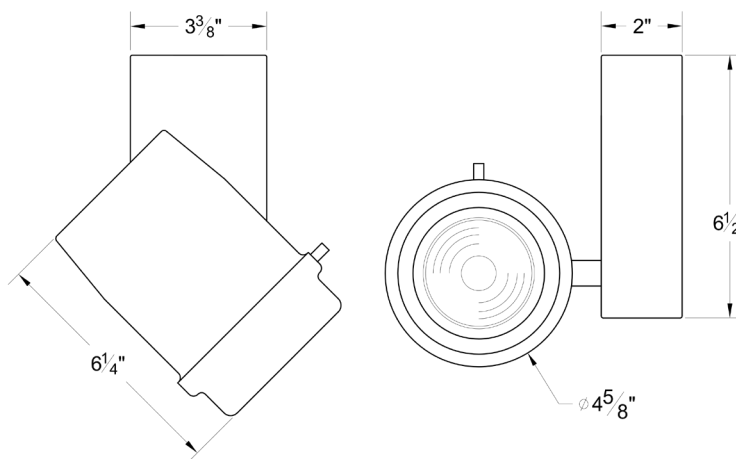
5 Holt Drive,
Stony Point, NY 10980
845-947-3034
info@tslight.com

The IXT30 is designed around the Xicato™ LED remote phosphor module. This module produces an even field of illumination for the most demanding applications. The IXT30 is ideal for museum and retail lighting where a low wattage, high output LED fixture would be required. Xicato™ LEDs exceed ANSI specifications by maintaining tight color consistency over the life of the LED module.

The IXT30 is available in standard black, white, or silver finishes. Custom colors are available upon request.

Features

- Compatible with DMX controllers
- Push-button addressing
- 100-277 Volt available
- 32-Watt Xicato™ module
- 50,000 Hour life
- Integral electronic driver
- 20°, 40° and 60° Field-changeable reflectors
- Choice of color temperature: 2700, 3000, 3500 or 4000.
- CRI ≥83
- No UV or IR



Extension Wands

SP 12 12" Stem
SP 18 18" Stem
SP 24 24" Stem
SP X Custom Length

Finish

B Black
W White
S Silver
CC Custom Color

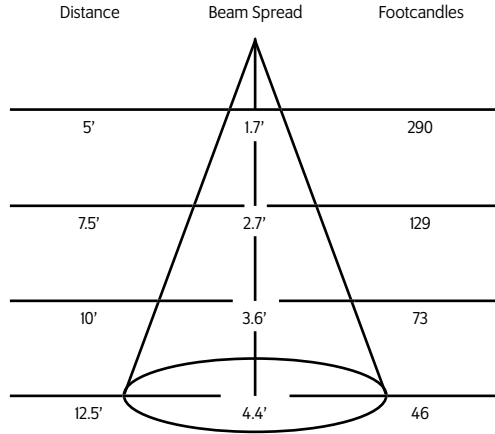
Ordering Matrix

Model	CRI	Color Temp	Finish	Voltage	Reflector	Mounting	Accessories
IXT30	83	27 = 2700K 30 = 3000K 35 = 3500K 40 = 4000L	B = Black W = White S = Silver CC = Custom Color	120	20 = 20° 40 = 40° 60 = 60°	See Mounting Options	See Accessory Options

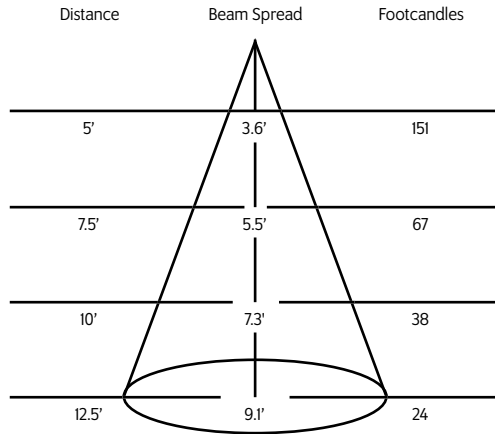
Example: IXT30-83-30-B-120-20-ST2-LV6

IXT30- - - - - - - - - -

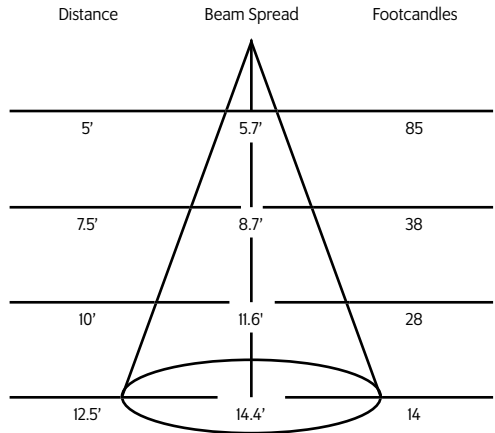
20° Spot Reflector



40° Medium Flood Reflector



60° Flood Reflector



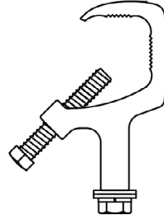
DT2 2-circuit track adapter for SpecTrack databus. 120V.

HDT2 Track adapter for SpecTrack 2-Circuit data track. 277V.

US1* 6 5/8" x 1 1/2" Unistrut adapter.



MN* Medium duty pipe clamp for small to large fixtures. For pipes up to 2" O.D.



DXTC Canopy mount with terminal block for DMX.

CM4* Canopy mount.

* Contact factory for wiring details.