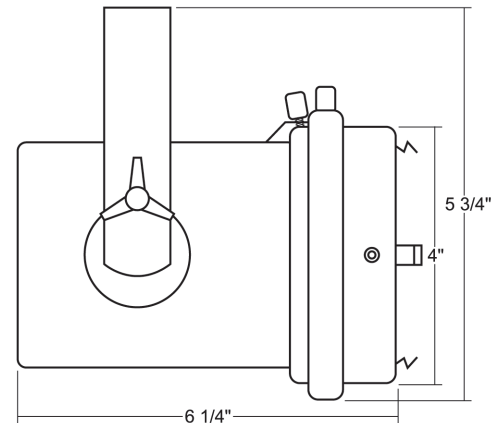
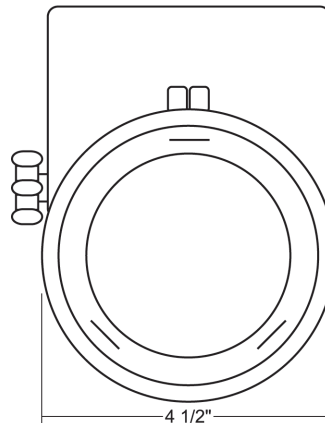




The MK3 is an ideal fixture for highlighting artwork, exhibits, and retail displays. This unit accepts low voltage AR111 lamps in a variety of beam spreads. The MK3 features a hinged front for easy re-lamping and has the ability to accept louvers, barndoors, hoods and a variety of filters.

FEATURES

- 120, 220 and 277-volt available
- Integral 12-volt dimmable transformer
- Use with electronic low voltage (ELV) Dimmer only (AKA Trailing Edge and Reverse Phase)
- Accepts AR111 lamps and LED's
- Numerous mounting options and accessories
- Weight: 2 lbs



MODEL NUMBER	FINISH	MOUNTING	ACCESSORIES
MK3	B Black W White S Silver CC Custom Color	AD1 Track Adapter. 1 Circuit track. 120V. T1 Track Adapter. 1 or 2 Circuit track. 120V. TA2 Track Adapter. G-Series. 2 Circuit. 120V. TA3 Track Adapter. G-Series. 3 Circuit. 120V. CM4 Canopy Mount. US1 6 5/8" x 1 1/2" Unistrut Adapter. TB4 6 1/4" Portable Wall Mount/Table Base Floor. MC Light Duty Pipe Clamp. For pipes up to 15/16" O.D. MN Medium Duty Pipe Clamp. For pipes up to 2" O.D.	LV6 Louver XL6 Cross Baffle Louver BD10 Barndoor HD6 Hood XH6 Cross Baffle Hood GF10-Clear AR111 Glass Shield CF10 Color Frame GF10 Glass Color Filter DF10 Dichroic Color Filter GF10-600 5°x50° Linear Lens GF10-601 Beam Softener GF10-673 50°x50° Spread Lens GF10-702 UV Blocking Filter CC18 Coiled Cord SC-24 Safety Cable IP Integral Dimmer

EXAMPLE: MK3 - B - TA2 -LV6

MODEL NUMBER	FINISH	MOUNTING	ACCESSORIES
MK3			