

Installation Instructions for the CELESTE™ Series Fixtures - SAVE THESE INSTRUCTIONS

OBSERVE ALL SAFETY AND OPERATING INSTRUCTIONS BELOW:

Caution! Read and understand these entire instructions before proceeding!

Warning! All electrical installations must be done according to local codes or the National Electric Code (NEC), whichever applies.

Warning! Risk Of Fire! MOST DWELLINGS BUILT BEFORE 1985 HAVE SUPPLY WIRE RATED FOR 60°C! This fixture requires supply wires rated for 75°C minimum. INSTALLATION MUST BE PERFORMED BY QUALIFIED PERSONNEL ONLY!

Warning! Disconnect power at circuit breaker or fuse box BEFORE installing the fixture.

Warning! Do not connect this luminaire to an electrical system that does not provide a means for equipment grounding. INSTALLING A LUMINAIRE INTO AN ELECTRICAL SYSTEM NOT PROVIDED WITH A GROUNDING MEANS COULD ALLOW ALL METAL PARTS OF THE LUMINAIRE TO CARRY ELECTRICAL CURRENT IF ANY OF THE WIRES, WIRE CONNECTIONS, SPLICES OR COMPONENTS BECOME BROKEN, CUT, LOOSE, OR OTHERWISE DAMAGED DURING INSTALLATION OR NORMAL USE. THIS CONDITION COULD LEAD TO ELECTRICAL SHOCK AND COULD CAUSE SERIOUS INJURY OR DEATH! THE SAME WARNING APPLIES FOR AN IMPROPERLY GROUNDED LUMINAIRE!

Warning! Do not suspend this luminaire by the electrical feed wires. Mount to an electrical outlet box according to these instructions and the materials included. Insure that the box has a 100 lb. minimum static load rating. Insure that the box is properly attached to the building structure using a means acceptable to local codes or the National Electric Code (NEC). FAILURE TO PROPERLY INSTALL THE LUMINAIRE MAY RESULT IN THE LUMINAIRE FALLING, THEREBY CAUSING PERSONAL INJURY, AS WELL AS THE DANGER OF ELECTRICAL SHOCK OR FIRE!

Warning! Do not use this fixture if there are any damaged wires, cords or other parts.

Caution! When installing this luminaire on a circuit containing a dimmer, make certain that the fixture has a dimmable driver. Insure that the dimmer is properly rated for the load (wattage) and is of the correct type (leading edge, trailing edge, etc). If this luminaire contains a non-dimmable driver, DO NOT install it on a circuit containing a dimmer. Damage to the luminaire may result.

Caution! The LED is a factory replacement item and there are NO user serviceable parts inside the control/power box.

Caution! This unit is to be installed in DRY locations only. Always store indoors.

Caution! Do not use this fixture in any way for which it was not intended.

Caution! Keep fixture vent slots free from dust and debris.

Caution! Maximum ambient operating temperature is 40°C (104°F).

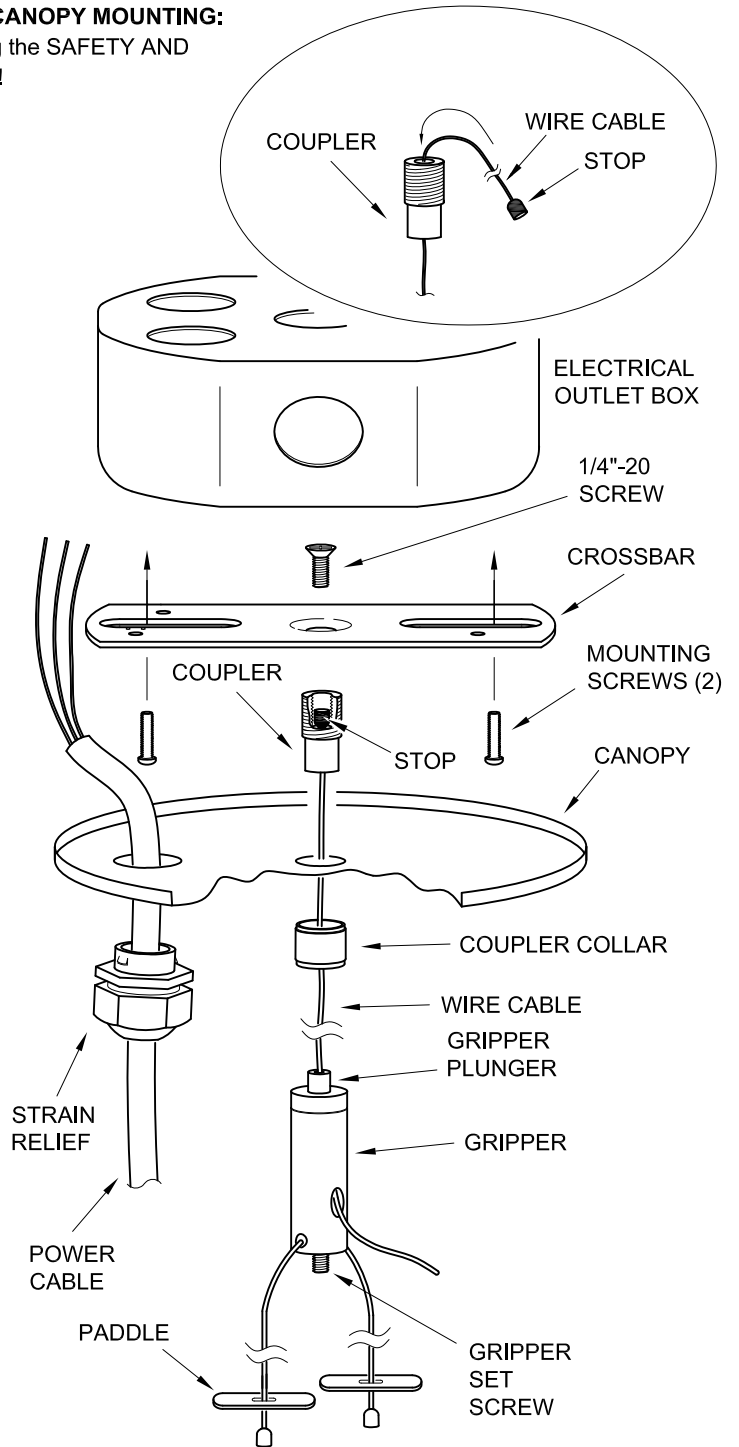
INSTALLATION AND WIRING INSTRUCTIONS FOR CABLE-&CANOPY MOUNTING:

Warning! Read and understand these entire instructions, including the SAFETY AND OPERATING INSTRUCTIONS on the first page before proceeding!

REFER TO THE DIGRAMS TO THE RIGHT:

1. Thread the free end of the wire cable through the coupler until the stop is seated inside the coupler (see diagram top, right).
2. Attach the coupler to the crossbar with the 1/4"-20 screw.
3. Attach the crossbar to the electrical outlet box using the 2 mounting screws provided with the box.
4. Thread the free end of the wire cable first through the canopy, then through the coupler collar, and lastly through the gripper until approximately 6 inches of wire cable is extending beyond the side of the gripper.
5. Attach the 2 wire cable paddles to the top fixture plate (see diagram below).
6. Adjust the length of the wire cable to achieve the desired fixture height by carefully depressing the gripper plunger and slowly pulling the wire cable in or out of the gripper.
7. Thread the power cable through the BLACK strain relief and then through the canopy. If the WHITE strain relief is to be used, then thread the cable through the canopy only.
8. Make electrical connections according to the list below:
 BLACK (or BROWN) to HOT,
 WHITE (or BLUE) to NEUTRAL,
 GREEN to GROUND,
 and, if required for 0-10V dimming,
 VIOLET to [+] (usually violet),
 GREY to [-] (usually grey).
9. Gently place all wire connectors from the previous step up and into the electrical outlet box.
10. Carefully slide the canopy up the wire cable until the canopy is flush with the ceiling, then secure with the coupler collar.
11. Carefully slide the BLACK strain relief up the power cable and snap it into the canopy. If the WHITE strain relief is to be used, then wrap the 2 halves around the power cable and snap it into the canopy.
12. While holding the upper half of the BLACK strain relief still, tighten (rotate clockwise) the dome shaped lower half until the power cable is secure. If the WHITE strain relief was used, then skip this step.
13. Trim the wire cable such that approximately 1" extends from the side of the gripper. NOTE: The cable is made of hard steel. Use cutters designed for cutting this material.
14. Level fixture and tighten gripper set screw with the hex key provided with the fixture.
15. Attach power cable to wire cable with electrical tape or wire ties if required.

NOTE: All fixture wires have insulation rated for 600V and are permitted to occupy the same enclosure (electrical outlet box and canopy).



Paddle Placement: Determine which fixture plate you have and insert paddles fully into the 1/4" holes indicated, as shown below.

